

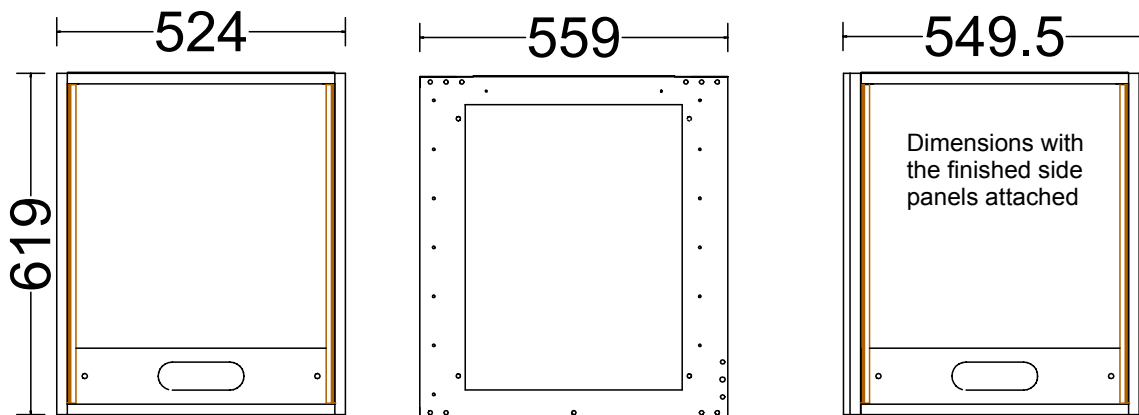
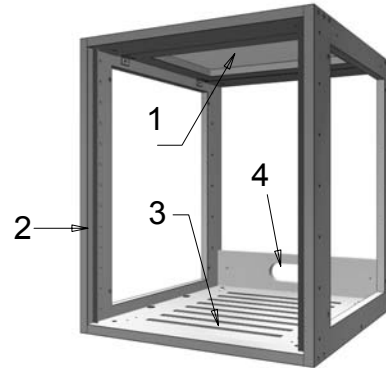
Versa_II - 1 Bay Basic Rack Kit

Rack Box - 1 Bay Rack

Dimensions and specifications

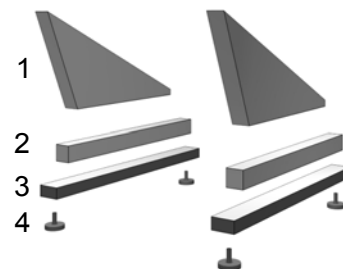
The Versa_II - Basic "1 Bay Rack Kit" includes...

- 1) fabric covered upper thermal vent.
- 2) 1 pair 13ru rack rail (front).
- 3) Slotted bottom panel for ample air flow.
- 4) Rear Nailer with hole for cable management.
- 5) The Complete Base Kit shown below



Base Kit

The "Base Kit" is included in every rack purchase. It allows you to set up the rack in a variety of configurations. The parts shown here, and all of the required hardware and instructions are included. Configuration options are shown on the following page



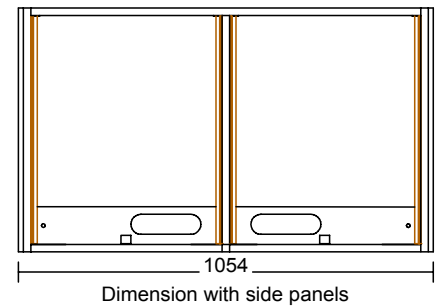
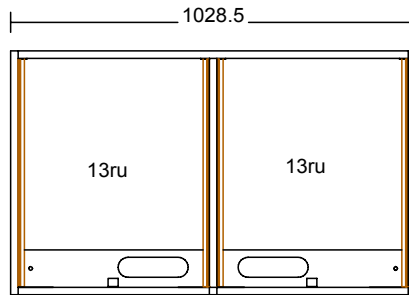
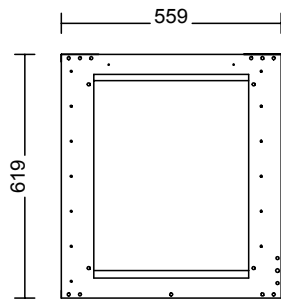
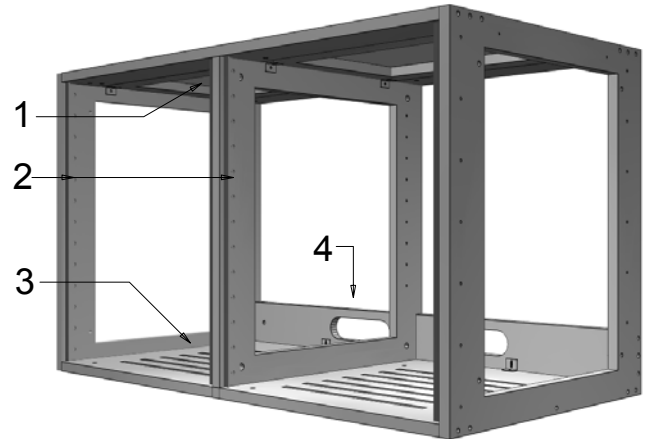
Versa_II - 2 Bay "basic" Rack Kit

Rack Box - 2 Bay Rack

Dimensions and specifications

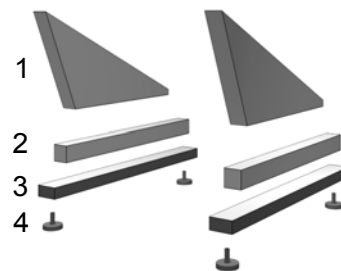
The Versa_II - 2 Bay Rack Kit includes...

- 1) fabric covered top thermal vents.
- 2) (2) (front pair) 13ru rack rail
- 3) Slotted bottom panel for ample air flow.
- 4) Rear Nailer with holes for cable management.
- 5) Steel stiffeners (not shown)
- 6) and the Complete Base Kit (shown below)



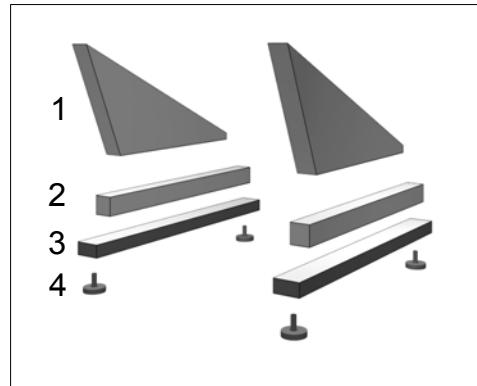
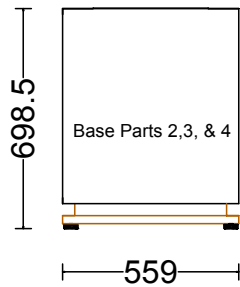
Base Kit

The "Base Kit" is included in every rack purchase. It allows you to set up the rack in a variety of configurations. The parts shown here, and all of the required hardware and instructions are included. Configuration options are shown on the following page.



Versa_II Rack configurations, options, accessories and specifications.

Straight



5 Optional Caster Pack

Angled

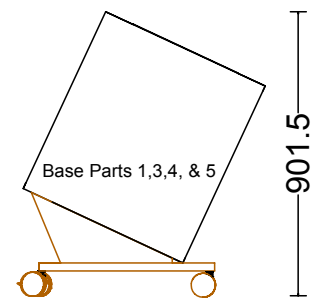
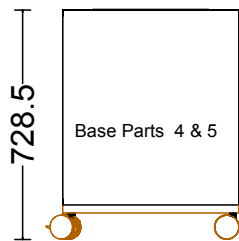
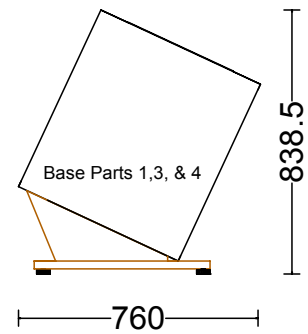
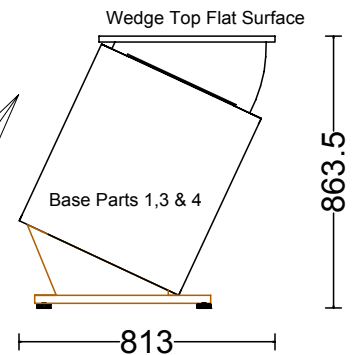
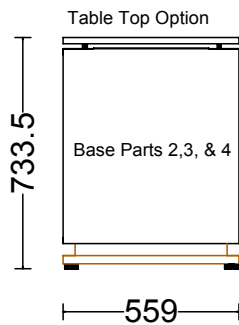


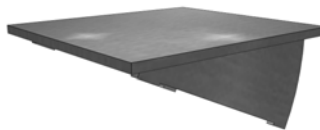
Table Top Option (for straight configuration)



Top measures 20 1/2" wide x 22" deep.
Sits on 5/8" risers to allow for continued top thermal venting.



Wedge top Flat Surface Option (for angle base configuration)



The top surface measures 20 1/2 " wide x 22" deep, and allows for the stacking of additional gear on the angled base configuration, without obstructing the thermal venting.

